

LAV



CHORUS

# CRESCENDO CHORUS | Manual

V1.1



# TABLE OF CONTENTS

1. Getting Started .....	<b>4</b>
1.1. Introduction .....	4
1.2. Safety Instructions .....	5
1.3. Quick Start .....	6
2. Basics About The CHORUS .....	<b>7</b>
2.1. The Front Panel .....	7
2.2. The Rear Panel .....	8
2.3. <b>Protection Features</b> .....	<b>9</b>
3. Connection Modes For The Chorus .....	<b>10</b>
3.1. Stereo Mode (Balance Connection) .....	10
3.2. Stereo Mode (Unbalance Connection) ....	11
3.3. XLR Mono Mode Connection .....	12
3.4. RCA Mono Mode Connection .....	13
4. Technical Specifications .....	<b>14</b>
5. Warranty and Contact Information .....	<b>17</b>
5.1. Warranty Terms .....	17
5.2. Contact Information .....	18



# 1. Getting Started

## 1.1. Introduction

Thank you for being part of the Laiv community, we're glad to have you with us. It's great to share this journey as we continue working to bring enjoyable sound experiences to more people.

Introducing our Crescendo Chorus, designed to deliver great performance and practical features for everyday listening. With our experience in audio design, we've carefully balanced sound quality, functionality, and ease of use to create something accessible without compromise.

Welcome aboard. We hope you enjoy the music ahead with us.

## 1.2. Safety Instructions

We're thrilled to have you as part of our family, and your safety is our utmost priority. Before you dive into using your new Chorus, let's go over some essential safety tips to ensure everything goes smoothly:

- 1) **Get to Know Your Chorus:** Take a moment to flip through the user manual. It's packed with handy information about how to use your Chorus safely and effectively.
- 2) **Stay Dry and Grounded:** Keep your Chorus away from water sources and damp areas. Remember, electricity and water don't mix well! And always use grounded outlets to avoid any shocking situations.
- 3) **Keep it Cool:** Your Chorus needs space to stay cool. Make sure there's plenty of airflow around it. Avoid placing your Chorus in direct sunlight or near heat sources like radiators or stoves. Extreme heat can damage delicate components and shorten the lifespan of your Chorus.
- 4) **Keep it Clean, Keep it Safe:** Regular cleaning is key to keeping your Chorus happy. But remember, gentle is the name of the game—no harsh chemicals or scrubbing, please!
- 5) **Hands Off the Repairs:** If your Chorus starts acting up, don't go all DIY hero on it. Leave the fixes to the pros. They've got the skills and know-how to get things back in working order safely.
- 6) **Keep it Kid-Safe:** Little ones are curious creatures, so make sure to keep cords and plugs out of their reach. And always supervise their interactions with Chorus to avoid any unplanned experiments!
- 7) **Power Down for Peace of Mind:** When you're done using your Chorus, hit the off switch. It's a simple step that can prevent any unwanted surprises while you're away.
- 8) **Trust Your Instincts:** If something seems off—smoke, sparks, strange noises—don't ignore it! Shut off the power and reach out to us or a professional for help ASAP.
- 9) **Safety First, Always:** Remember, your safety comes above all else. Take your time, follow these tips, and enjoy using your Chorus with confidence!

If you ever have any questions or concerns about using your Chorus safely, don't hesitate to reach out. We're here to help you every step of the way!

### 1.3. Quick Start

1

Sit back, relax, and coffee.



Register  
Extended  
Warranty

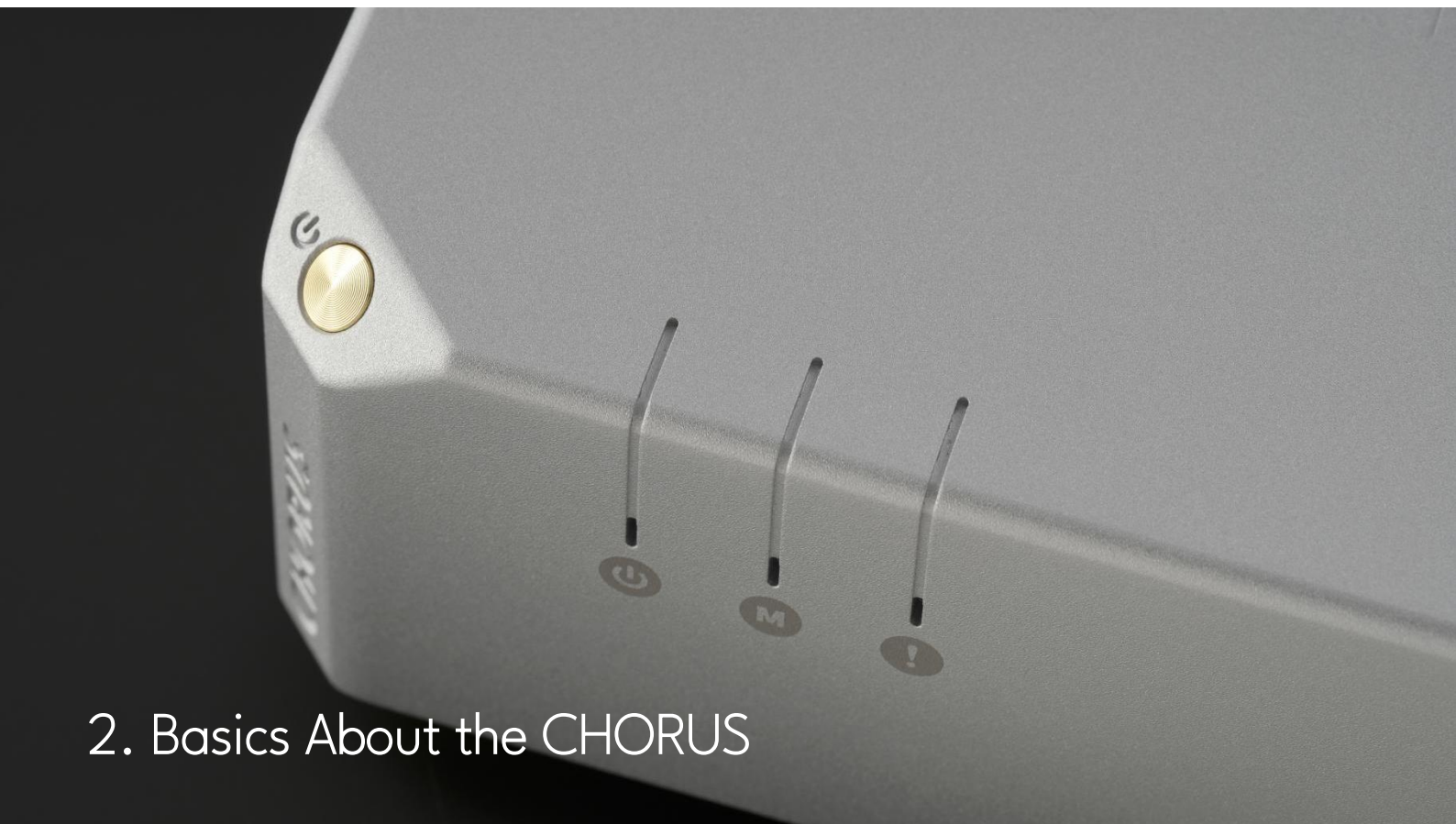


Read  
Guide

2

Connect all the cables, turn it on,  
and you're ready to rock and roll!

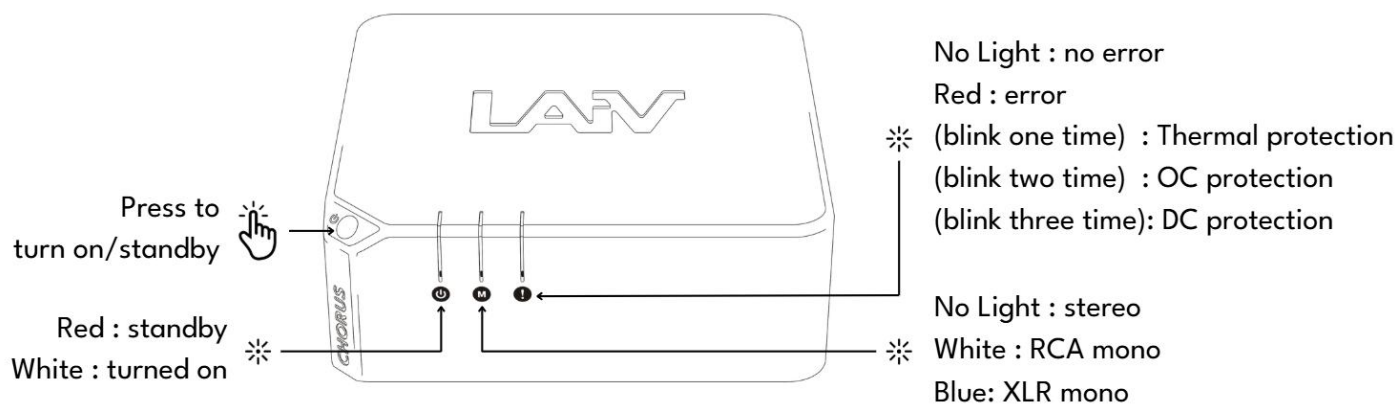




## 2. Basics About the CHORUS

### 2.1. The Front Panel

All information is easily accessible via the front panel of the Chorus. Designed for convenience, the front panel displays all key information clearly through its indicators. For error indicator, refer to section 2.3 for more detailed information.



## 2.2. The Rear Panel

The rear panel of the Chorus is thoughtfully divided into several distinct sections.

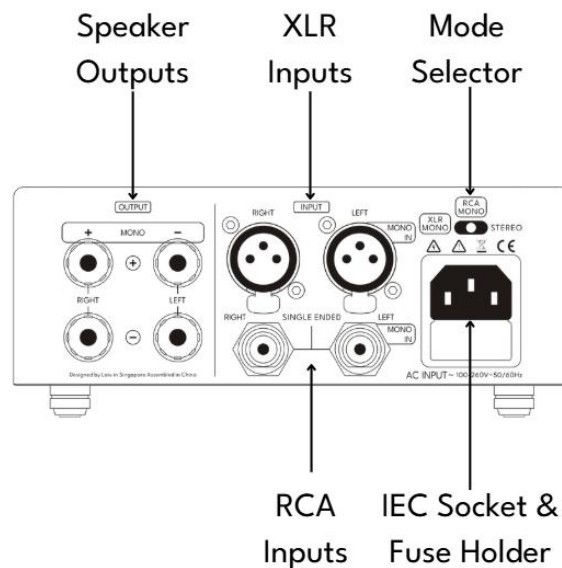
At the bottom right, you will find the **IEC inlet**, which supplies power to the unit.

At the top right, there is a **mode selector switch**. Set it to the **left** for **XLR Mono mode**, the **middle** for **RCA Mono mode**, and the **right** for **Stereo mode**.

In the top center, the **balanced XLR analog input** is located, while the **single-ended RCA input** is positioned in the bottom center.

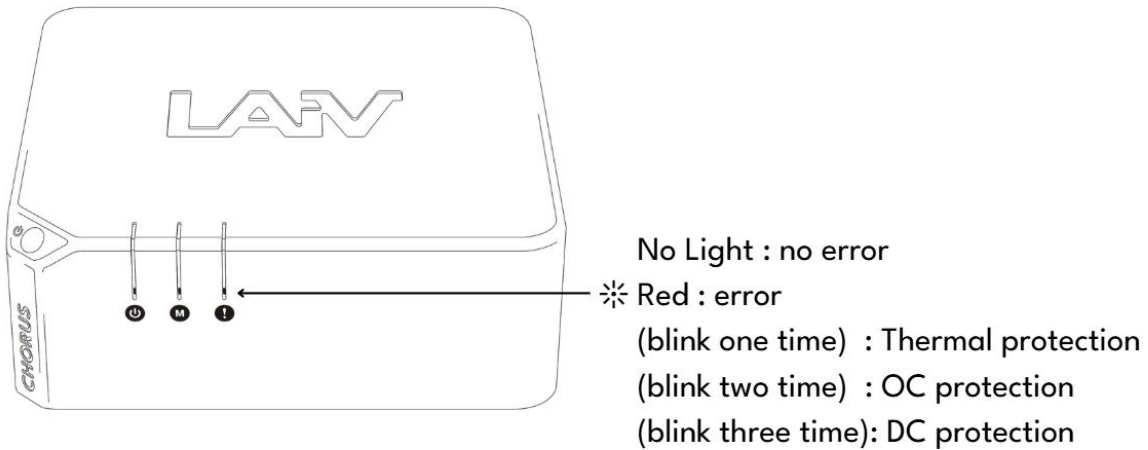
On the left side, you will find the **speaker outputs**, which support **banana plugs, spade connectors, or bare wire**, offering flexible connection options for your speakers.

**Warning:** To ensure proper operation, connect only one analog connection at a time (XLR or RCA) when using “STEREO” mode.



## 2.3. Protection Features

The Chorus is equipped with several built-in protection features to ensure safe and reliable operation. These safeguards are designed to protect both the device and your connected equipment, allowing for a worry free listening experience. In the event is there is error detected, the Chorus will display the error through blinking the red light.



### Thermal Protection

During extended use or when operating at high output levels, the Chorus's internal components may generate heat. To ensure safe operation, the Chorus is equipped with thermal protection that monitors internal temperatures. If the temperature exceeds safe limits, the device will automatically shutdown the output power to start the cooling process.

### OC Protection

The Chorus continuously monitors the output levels to prevent any over current conditions. If an excessive current is detected, the device will automatically shut down the affected circuit to avoid damage. This protection ensures that your speakers and the Chorus remain safe during use.

### DC Protection

The Chorus features DC protection to prevent harmful DC signals from reaching the output stages. If DC is detected, the device will automatically shutdown the output, preventing potential damage to connected devices.

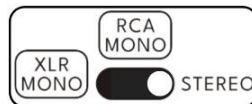


### 3. Connection Modes for the Chorus

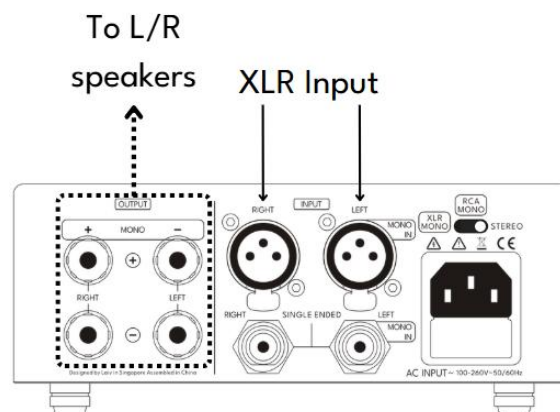
#### 3.1. Stereo Mode (XLR Connection)

1. Set the selector to “STEREO”.

*Warning: Connect only one analog connection at a time (XLR or RCA) when using “STEREO” mode.*



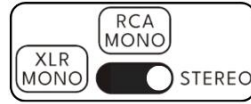
2. Connect the XLR outputs from the preamplifier to the Chorus.



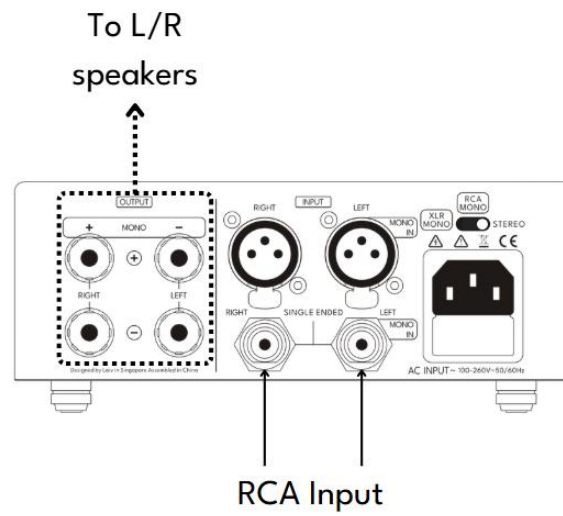
## 3.2. Stereo Mode (RCA Connection)

1. Set the selector to “STEREO”.

**Warning:** Connect only one analog connection at a time (XLR or RCA) when using “STEREO” mode.



2. Connect the **RCA outputs** from the preamplifier to the Chorus.



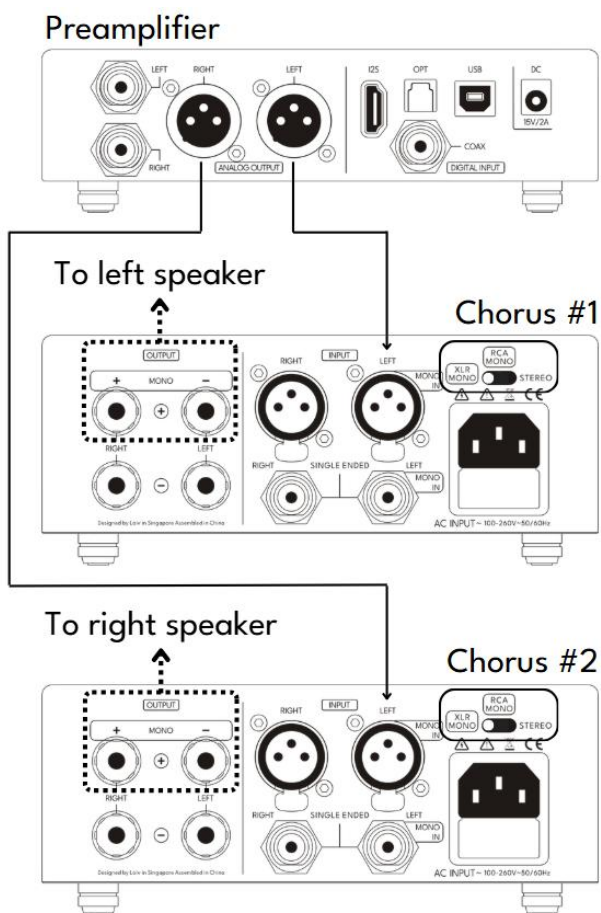
### 3.3. XLR Mono Mode Connection

In XLR Mono mode, each Chorus drives one speaker, providing higher power output.

1. Set the selector to “XLR MONO”.



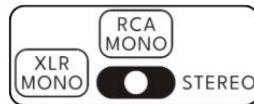
2. Connect the XLR output from the preamplifier to each Chorus unit.



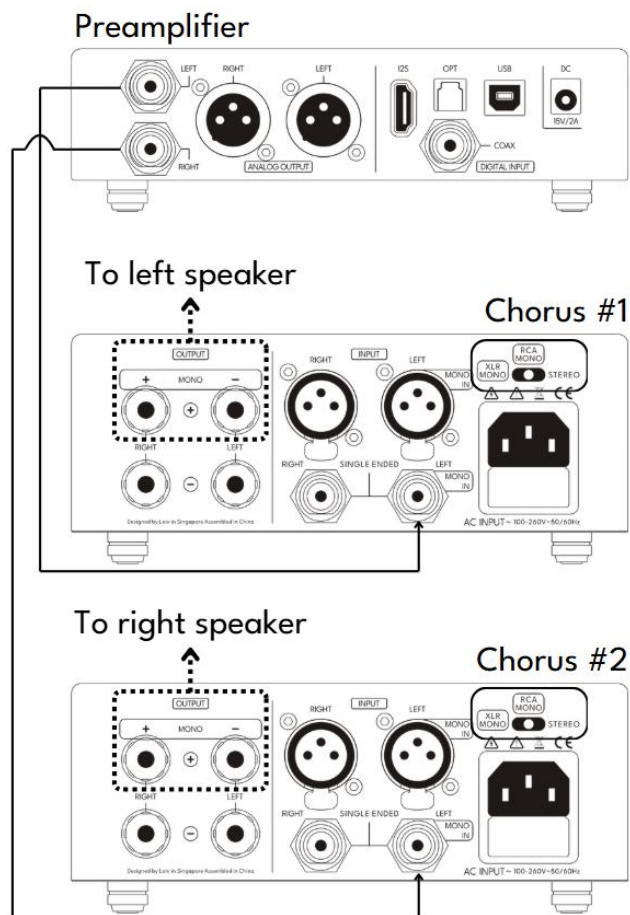
### 3.4. RCA Mono Mode Connection

In RCA Mono mode, each Chorus drives one speaker, improving channel separation and enhancing dynamics.

1. Set the selector to “RCA MONO”.



2. Connect the RCA output from the preamplifier to each Chorus unit.





## 4. Technical Specifications

<p>Finish <sup>1</sup></p>	<div style="display: flex; justify-content: space-around; align-items: center;"> <div style="text-align: center;">  <p>Black Anodized Aluminium</p> </div> <div style="text-align: center;">  <p>Silver Anodized Aluminium</p> </div> </div>
<p>Size and Weight <sup>2</sup></p>	<div style="text-align: center;"> <p>Width: 168 mm</p> <p>Depth: 180 mm (Included connectors)</p> <p>Height: 70 mm (Included Spike 10mm)</p> </div> <p>Weight: 1.5kg a unit</p>

Input	XLR (stereo/mono) , approx. 94k $\Omega$ RCA (stereo/mono) , approx. 47k $\Omega$
Input Sensitivity	1.414Vrms (XLR stereo mode) 1.100Vrms (XLR mono mode) 0.707Vrms (RCA stereo mode) 0.550Vrms (RCA mono mode)
Outputs	Speaker binding post for two channels
Gain	22 dB (XLR stereo mode) 28 dB (XLR mono mode) 28 dB (RCA stereo mode) 34 dB (RCA mono mode)
Power	120W @ 8/4 $\Omega$ (Mono Mode) 80W/Channel @ 4 $\Omega$ (Stereo mode) 50W/Channel @ 8 $\Omega$ (Stereo mode)
Damping Factor	Approx. 200 at 1kHz @ 8 $\Omega$
Frequency Response	20Hz – 22kHz, within $\pm 3$ dB <sup>3</sup>
THD+N	< 0.005% at 5W @ 8 $\Omega$
Signal to Noise Ratio (SNR)	$\geq 100$ dB <sup>3</sup>
Dynamic Range	$\geq 100$ dB <sup>3</sup>
Features	Unified Crescendo Series design Gallium Nitride FETs DC, overload, and high temperature protection system Stereo and Mono mode

Power	100 - 260 VAC, 50 / 60Hz
Power Consumption	$\leq 0.5$ W in standby $\leq 20$ W in idle $\leq 160$ W in maximum output
In the Box	Welcome card with Quick Start guide Crescendo Chorus Power cord

1. Colours vary by configuration and manufacturing process.

2. Size and weight vary by configuration and manufacturing process.

3. The specification was evaluated using an Audio Precision APx Analyzer with 1kHz signal at 1.414 Vrms for balanced input and 0.707 Vrms for single ended input, A-weighted, 8 $\Omega$  load conditions.

4. Specifications can be changed without notice.

## 5. Warranty and Contact Information

### 5.1. Warranty Terms

**Warranty Period:** 24 months from the date of purchase.

**What's Covered:** Defects in materials and workmanship.

**What We'll Do:** Repair your product if it has any defects during the warranty period.

**How to Get Service:**

- Register the warranty of your product within 3 months of the date of purchase at <https://www.laiv.audio/warranty-registration>
- To obtain warranty service, the customer must contact the Company's customer service department at [info@laiv.audio](mailto:info@laiv.audio).
- Proof of purchase, such as the original purchase receipt and warranty card, may be required.
- The customer may be responsible for shipping the defective Product to the Company's designated service center.

**What's Not Covered:**

- Import duties or taxes whenever applicable.
- Damage resulting from misuse, abuse, or unauthorized modifications or repairs.
- Normal wear and tear.
- Consumable parts, such as batteries, unless otherwise stated

**Limitation of Liability:** Our responsibility limited to repairing or replacing the parts.

Refer to the QR or <https://www.laiv.audio/terms-and-conditions#warranty> for the complete warranty terms.



## 5.2. Contact Information

For any inquiries or support related to this product, please don't hesitate to contact our Customer Support Team:

Email : support@lav.audio

Website : <https://www.lav.audio/contact>

We're here to assist you with any questions or concerns you may have regarding the product.