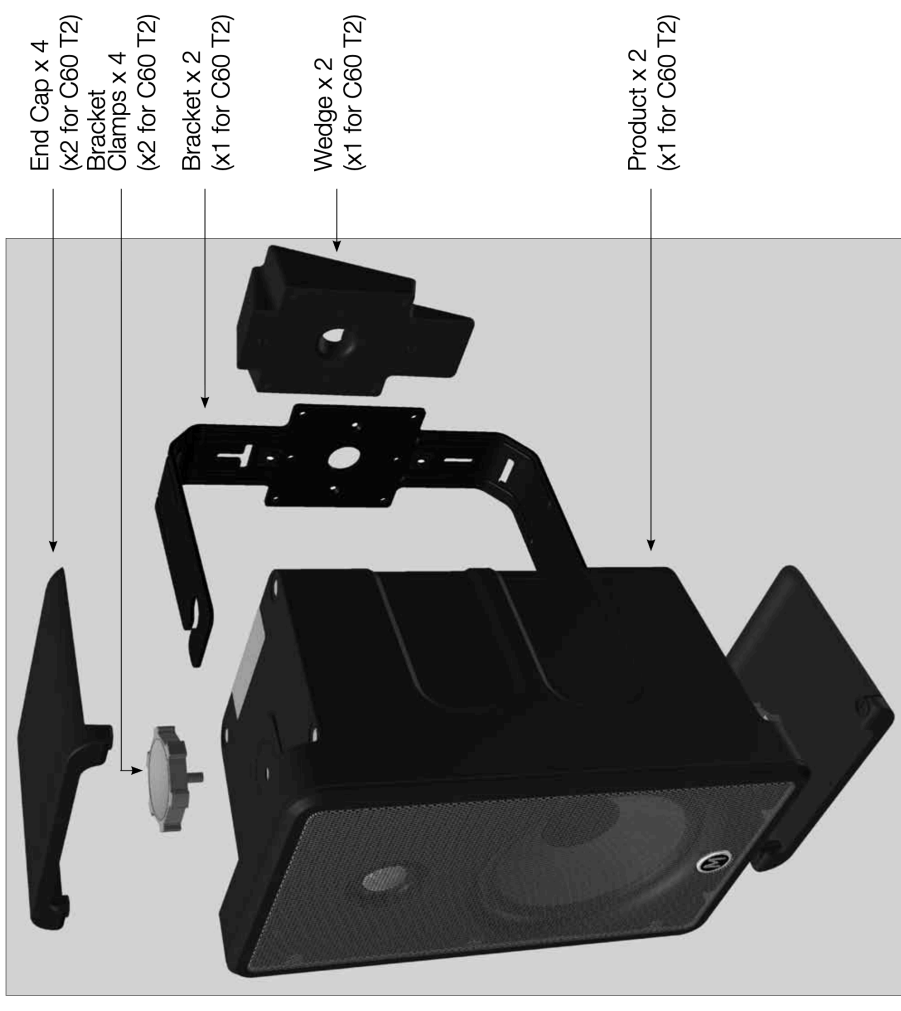




# Climate **series**

Installation Information

In the box.



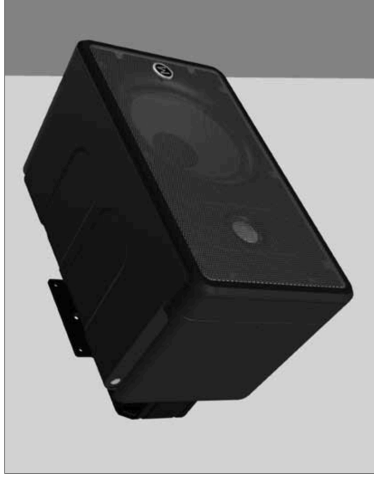
**Also Included (Located within the packaging):**

Wedge Screws x 2 (x4 for C80, x1 for C60 T2). Long screws supplied to be used for widest part of the wedge. The installer should supply screws for the narrowest part of the wedge  
Template x 1  
Paint Mask x 2 (x1 for C60 T2)

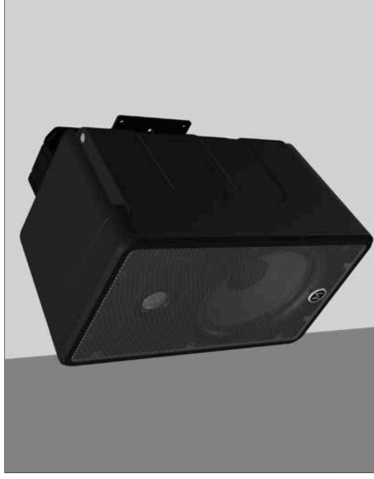
**NOTE:** The following installation steps apply to **ALL** Climate products, regardless of orientation.

## 1 Choose fixing option

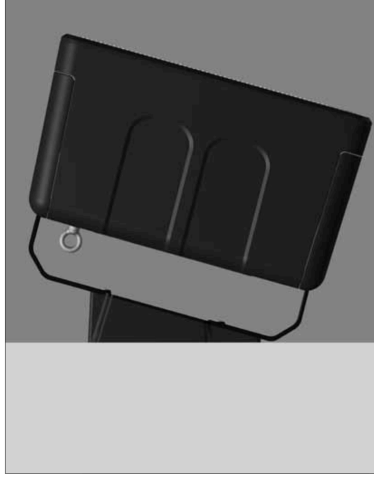
a) Horizontal on flat wall



b) Vertical on flat wall



c) Angled on flat wall (using wedge)



d) Using electrical junction box

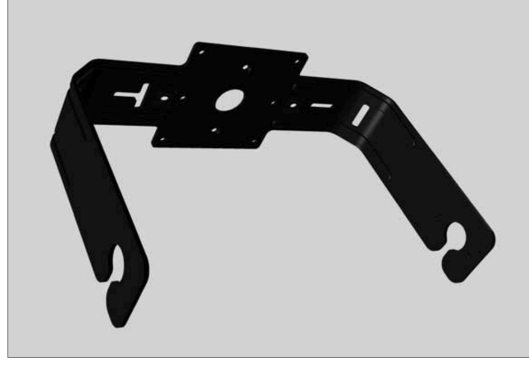
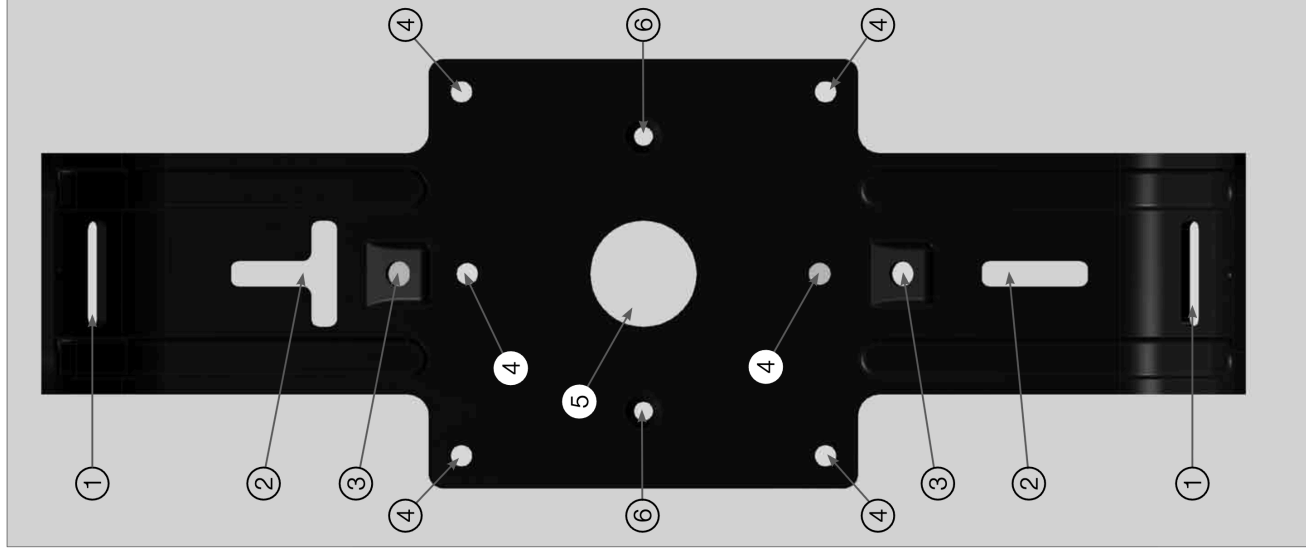


e) In a corner

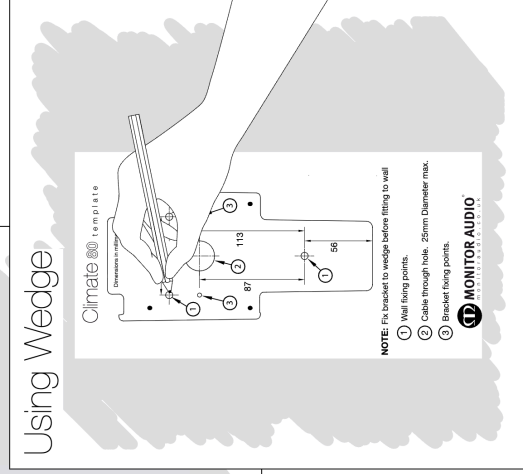
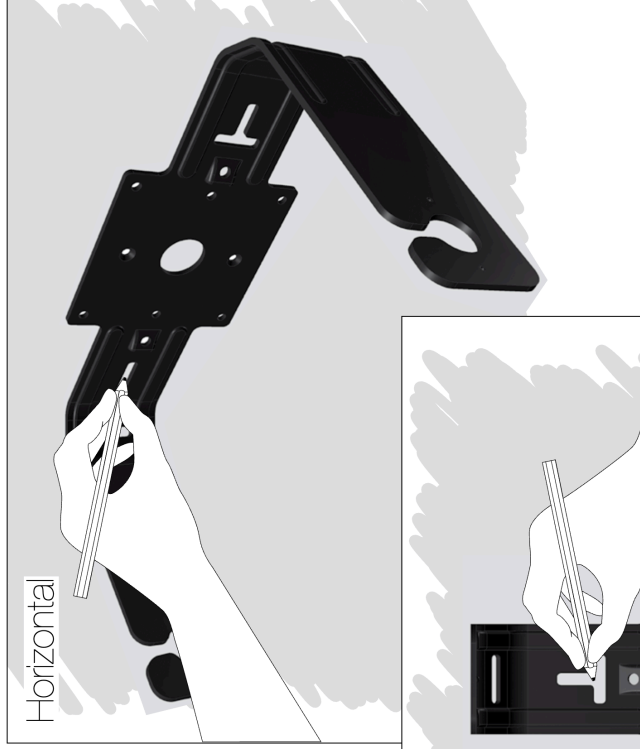


## 2 Bracket fixing options

1. For fixing horizontally into a corner.  
**Fixings not supplied.**
2. For fixing horizontally or vertically onto a flat wall.  
**Fixings not supplied.**
3. Wall fixing screws for when using wedge.  
**Some fixings supplied. See "Whats in the box".**
4. For securing to an electrical back box.  
**Fixings not supplied.**
5. Cable through hole.
6. For fixing bracket to wedge.  
**Fixings not supplied. Use N° 6 x 20mm (3/4") self tapping screw.**



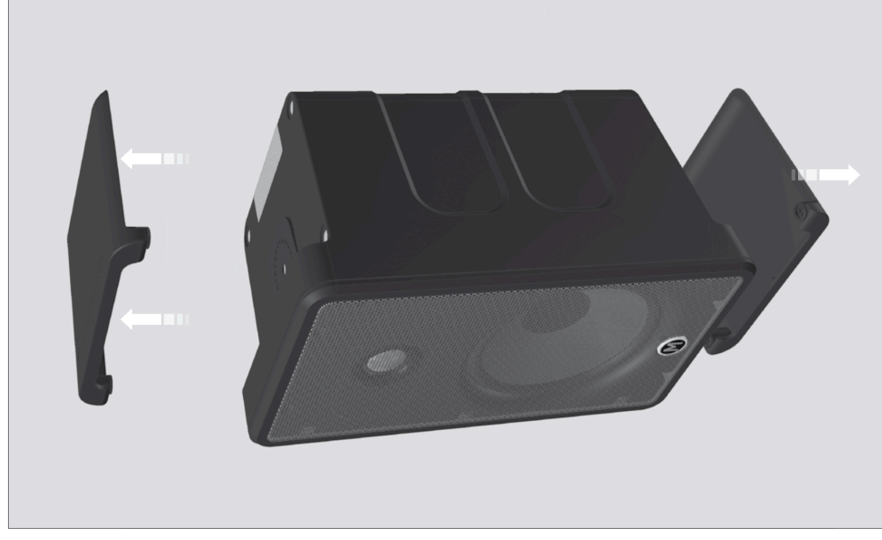
**3** Mark required fixing points



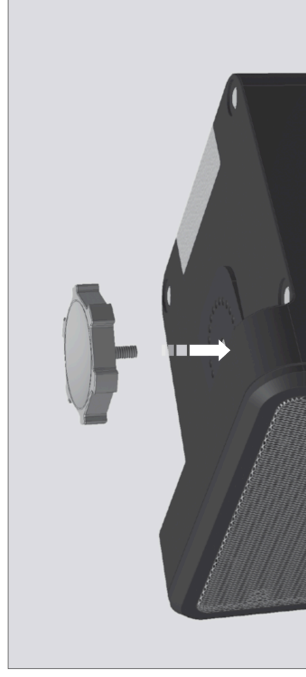
**NOTE:** If Using the wedge, mark the fixing points using the template, NOT the bracket.

**4** Drill, fit wall plugs where appropriate and secure bracket according to your choice of fixing. **NOTE:** If using the wedge, fix the bracket to the wedge prior to fixing on the wall.

**5** Remove the magnetic end caps from product.

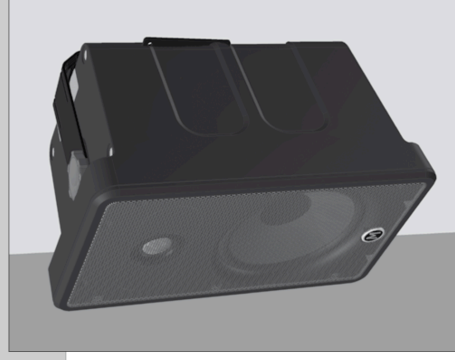


**6** Loosely fit the top and bottom bracket clamps



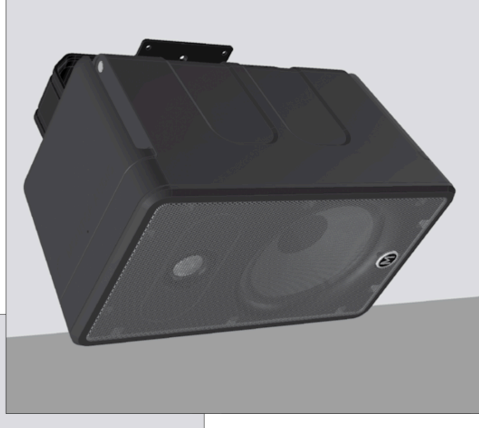
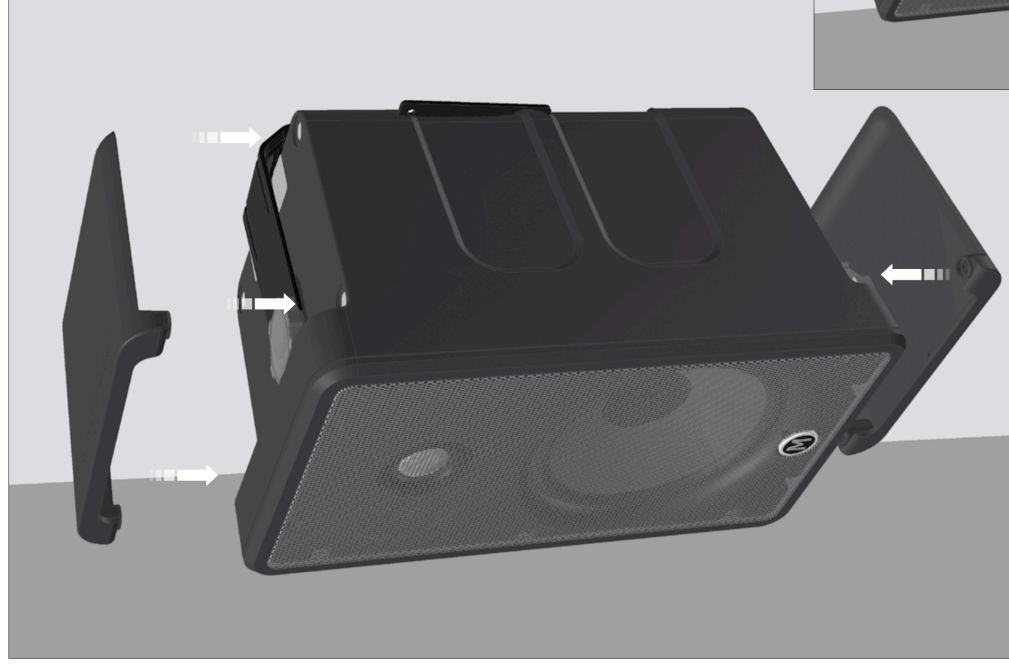
**7** Locate the product on the bracket, adjust the direction accordingly and tighten the clamps.

**NOTE:** Ensure the pips in the bracket are located correctly on the product, at both the top and bottom.



**NOTE:** If re-adjustment of the angle is required, loosen BOTH of the clamps and rotate the product, supporting its weight in the process.

**8** Re-fit the magnetic end caps. The end caps might have to be swapped over, depending on the angle of the Climate product,



# Climate Series Specifications:

## Specifications

Frequency Response  
Impedance  
Sensitivity (1W @ 1m)  
Power Handling (RMS)  
Recommended Amplifier Requirements (RMS)  
System Configuration  
Maximum SPL (each)  
Driver Complement:  
  
Overall Dimensions  
(H x W x D)  
  
Total Depth inc Bracket (exc Wedge)  
Total Pivot Angle  
Wedge Angle  
Environmental Protection Rating  
Weight kg (lb)

### Climate 50

75Hz – 30kHz  
8 Ohms  
87dB  
80W  
10 - 80W  
2 way. Rear Firing ABR  
106.8dBA  
1 x 5.5" C-CAM® mid/bass driver.  
1 x 1" (25mm) C-CAM® gold dome tweeter.  
  
285 x 172.5 x 158.5mm  
(11 <sup>1/4</sup> x 6 <sup>13/16</sup> x 6 <sup>1/4</sup>)  
  
210mm (8 <sup>1/4</sup>)  
87.5 Degrees (from central position)  
15 Degrees  
IP56  
3.66 (8.05)

## Specifications

Frequency Response  
Impedance  
Sensitivity (1W @ 1m)  
Power Handling (RMS)  
Recommended Amplifier Requirements (RMS)  
System Configuration  
Maximum SPL (each)  
Driver Complement:  
  
Overall Dimensions  
(H x W x D)  
  
Total Depth inc Bracket (exc Wedge)  
Total Pivot Angle  
Wedge Angle  
Environmental Protection Rating  
Weight kg (lb)

### Climate 60 T2

63Hz – 30kHz  
2 x 8 Ohms  
88dB  
2 x 50W  
15 - 100W  
2 way. Rear Firing ABR  
106.8dBA  
1 x 6.5" C-CAM® mid/bass driver with dual voice coil.  
2 x 1" (25mm) C-CAM® gold dome tweeter.  
325 x 185 x 178.5mm  
(12 <sup>15/16</sup> x 7 <sup>5/16</sup> x 7")  
  
235mm (9 <sup>1/4</sup>)  
87.5 Degrees (from central position)  
15 Degrees  
IP56  
5.02 (11.04)

## Specifications

Frequency Response  
Impedance  
Sensitivity (1W @ 1m)  
Power Handling (RMS)  
Recommended Amplifier Requirements (RMS)  
System Configuration  
Maximum SPL (each)  
Driver Complement:  
  
Overall Dimensions  
(H x W x D)  
  
Total Depth inc Bracket (exc Wedge)  
Total Pivot Angle  
Wedge Angle  
Environmental Protection Rating  
Weight kg (lb)

### Climate 60

63Hz – 30kHz  
8 Ohms  
88dB  
100W  
15 - 100W  
2 way. Rear Firing ABR  
108.8dBA  
1 x 6.5" C-CAM® mid/bass driver.  
1 x 1" (25mm) C-CAM® gold dome tweeter.  
  
325 x 185 x 178.5mm  
(12 <sup>15/16</sup> x 7 <sup>5/16</sup> x 7")  
  
235mm (9 <sup>1/4</sup>)  
87.5 Degrees (from central position)  
15 Degrees  
IP56  
4.62 (10.16)

## Specifications

Frequency Response  
Impedance  
Sensitivity (1W @ 1m)  
Power Handling (RMS)  
Recommended Amplifier Requirements (RMS)  
System Configuration  
Maximum SPL (each)  
Driver Complement:  
  
Overall Dimensions  
(H x W x D)  
  
Total Depth inc Bracket (exc Wedge)  
Total Pivot Angle  
Wedge Angle  
Environmental Protection Rating  
Weight kg (lb)

### Climate 80

50Hz – 30kHz  
8 Ohms  
89.5dB  
120W  
20 - 120W  
2 way. Rear Firing ABR  
111.1dBA  
1 x 8" C-CAM® mid/bass driver.  
1 x 1" (25mm) C-CAM® gold dome tweeter.  
  
405 x 230 x 221mm  
(15 <sup>15/16</sup> x 9 <sup>1/16</sup> x 11 <sup>11/16</sup>)  
  
272.5mm (10 <sup>3/4</sup>)  
87.5 Degrees (from central position)  
15 Degrees  
IP56  
6.53 (14.37)



Monitor Audio Ltd  
24 Brook Road, Rayleigh  
Essex, SS6 7XJ  
England  
Tel: + 44 (0)1268 740580  
Fax: + 44 (0)1268 740589  
Email: [info@monitoraudio.co.uk](mailto:info@monitoraudio.co.uk)

[monitoraudio.co.uk](http://monitoraudio.co.uk)  
Designed in the United Kingdom  
Version 1.