

**TANNOY**  
LEGACY SERIES





Music is an art form that needs to be experienced in all its beauty, detail, and nuance without the colouration that can instantly detract from its purest essence. A truly great loudspeaker design enables the speaker system to remove itself from the soundscape and present the music in a manner that envelopes you in the same way as a live performance.

In the 1970's TANNOY created a range of monitors that forever changed the way studio engineers and audiophiles alike chose to experience high quality audio. The TANNOY HPD Series quickly became some of the most beloved hi-fi loudspeakers of all time.

More than just a homage to its predecessor, the LEGACY Series ARDEN, CHEVIOT and EATON Loudspeakers further elevate the TANNOY HPD heritage of outstandingly transparent performance with the implementation of new, up-scaled drivers and components – technology that was unavailable at the time. Simply put, the LEGACY Series delivers legendary HPD performance to a new generation of music aficionados.

# Faithful to the Original

Every design element crucial to LEGACY Series breath-taking dynamic range, clarity of sound and classic look has been faithfully preserved.

Much more than just clones of the original, the new versions of the classics benefit greatly from the evolution of driver and electronic component technology.

In keeping with the TANNOY mode of excellence, each LEGACY Series loudspeaker cabinet is completely handcrafted by our highly skilled team at our Coatbridge, Scotland workshop.

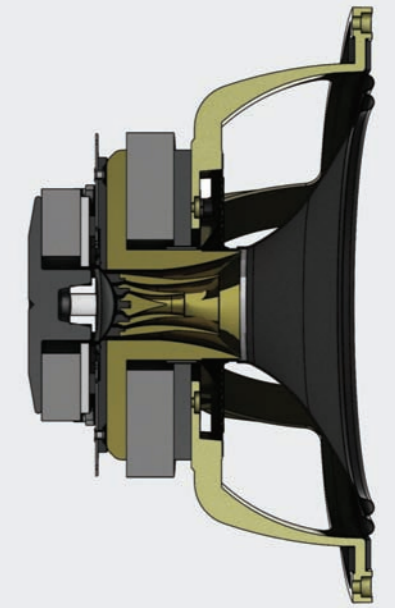


# Studio Quality Sound in Your Home

The Dual Concentric driver used in the LEGACY Series provides class-leading coherence and point-source imaging for that highly sought after truly natural sound.

The Arden's 15", Cheviot's 12", and Eaton's 10" drivers deliver breath-taking dynamics, powerful transient response and unparalleled realism across a wide frequency range with an almost total lack of colouration.

Many of the world's greatest hits have been recorded and mixed using TANNOY studio monitors, and listening to these speakers is like having the artist right there in your living room. Breath-taking yesterday; equally breath-taking today...





## Drive Units

The Dual Concentric drive units have been substantially improved over the original HPD to reduce distortion, improve frequency response output sensitivity and clarity.

Cone paper pulp and high frequency magnesium alloy dome materials (now reproduces up to 30 KHz) are now used on the Dual Concentric driver.

Modern Ferite design with copper demodulation rings and high flux magnetic circuit give much better value and performance than the original 1970's Alnico design.

The motor structure is now improved with "edge wound" coils which maximize the winding density in the flux gap and reduce moving mass.

All LEGACY series speakers have a sophisticated crossover network, with 2 separate channels to perfectly complement the Dual Concentric driver and offer a truly natural sound.

## Tulip Waveguide

All LEGACY series speakers use very high performance Dual Concentric drivers. The sound radiates from the center of the low frequency driver through a specially designed high frequency exponential horn or waveguide.

Thanks to its placement in the throat of an acoustic horn formed by the low frequency driver cone, the waveguide acts as a phase plug for superb time alignment.

The resulting low and high frequencies emerge in perfect time alignment and are dispersed in a 360° pattern. This strategic and proprietary design provides the highly accurate impulse response and true point-source imaging that is synonymous with the world-famous TANNOY Dual Concentric Driver.



# Outstanding Components – Just the Starting Point

It takes a lot more than quality materials and hand-selected drivers to create a great loudspeaker; it takes engineering experience with a deep understanding of acoustics, dedicated craftsmanship, inspiration, and a healthy dose of imagination.

For example, the crossover network employed in the LEGACY Series feature 2 independent channels that have been skillfully designed to bring out the best of the separate LF and HF sections of the Dual Concentric driver – ensuring a truly natural sound.

Since loudspeakers actually perform their work in your living space instead of an anechoic chamber, a front mounted 2 band energy control panel enables you to selectively boost or cut the high frequencies to fit your room or personal taste.

All of the LEGACY Series loudspeakers also feature heavy duty 24 carat multi-layer gold plated WBT\* bi-wireable binding posts to provide optimal signal transmission and integrity, plus a fifth binding post to reduce RF interference and improved mid range clarity.

# Panel Adjustment

LEGACY loudspeakers are fitted with two controls located on the front baffle, ENERGY and ROLL OFF which can be used to compensate for the varied acoustic characteristics of listening rooms or just to suit personal taste.

The ENERGY control has five positions. It allows the output of the high frequency compression drive unit to be increased or decreased from the linear or “flat” position over a frequency band from 1 kHz to 30 kHz.

The ROLL OFF control has five positions (+2, level, -2, -4 and -6 dB per octave) and provides adjustment at extreme high frequencies from 5 kHz to 30 kHz.

The ENERGY control has a shelving effect over the 1 kHz to 30 kHz frequency band, whereas the ROLL

OFF control increases or decreases the slope of the extreme high frequency hinging at around 5 kHz.

The flattest, most linear response from the loudspeaker will be obtained with both controls set at the LEVEL position.

If the overall high frequency sound seems too prominent, the -1.5 or -3 positions for the ENERGY control should be tried. If the sound appears subdued in the treble region, +1.5 or +3 settings may be preferred.

Once the ENERGY control setting has been established, the ROLL OFF control can be adjusted to reduce or increase the extreme high frequency if necessary.




# Creating Heirlooms

## Your personal TANNOY story

*"My Journey with TANNOY started for both me and my brother when we were children. My father who unfortunately passed away last year owned a pair of TANNOY Lancaster 15" Golds.*

*As you can imagine both me and my brother were mesmerized by the technology and more so the sound these speakers had to offer. No one else at the time even had a HiFi."*

 **Melissa Price** Lovely story James ❤️ I grew up listening to Motown vinyl on very expensive kit and tannoy speakers because of my Dad's passion for music.  
Like · Reply · February 3 at 6:36pm



**'One day, my son, all this will be yours!'**

In a world where heirlooms have to be antique to be credible and durable consumer durables are hard to find, it's reassuring to know that 'built to last' can still mean what it says.

Look at our new range of Tannoy Loudspeaker Systems. We don't build them on the assumption that they will need replacing in ten or twelve years time. On the contrary, their standard of sound reproduction is so high and their built-in technology so advanced that they are unlikely to become outdated for a generation. It's hard to improve on near perfection.

And the proof is in the many professional broadcasting and recording studios which use Tannoy Systems as quality monitors for accurate, natural sound reproduction.

There are five new enclosures to choose from, handcrafted by one of Britain's leading industrial designers in ash, teak or oiled walnut finish and brown, blue or sand panel grilles. The speakers, with 50 years experience built into each one, are based on the dual concentric principle and feature our unique integrated loudspeaker system and famous crossover network.

Write to us for the name of your nearest Tannoy dealer.  
Tannoy Products Limited, Canterbury Grove, West Norwood, London SE27 0PW Telephone 01-670 1131



**TANNOY** The name says it all

# Enclosures

The enclosures are made following the original HPD design, but benefit from new high-density materials that weren't available back in the 1970s.

The resulting cabinets provide extreme rigidity to control low frequency performance, and boast extensive bracing incorporating DMT (Differential Materials Technology) for proper driver coupling.

The base of the enclosures also feature 8 mm coupling spikes that provide added stability, and help to dissipate unwanted energy that might otherwise detract from their pristine performance.



## ARDEN Features

- 1 x 15" (380 mm) paper pulp cone with single roll rubber surround and 52 mm (2") edge wound voice coil
- 1 x 1.3" (33 mm) aluminium/magnesium alloy dome with edge wound voice coil (capable of reproducing up to 30 kHz)
- Highly efficient (93 dB) with 600 Watt power handling delivers breath-taking dynamics and realism
- 20 - 300 Watt amplifier power recommended
- Crossover Frequency 1.1 kHz
- Triple distributed front port facilitates easy room placement
- Large floor standing cabinet 910 x 602 x 362 mm (35.8 x 23.7 x 14.3") designed to work best in large rooms

TANNOY Accessory pack includes: Bi-wire bridge connectors, Prestige wood wax, Carpet protectors, Adjustable feet



## CHEVIOT Features

- 1 x 12" (300 mm) paper pulp cone driver with twin roll impregnated fabric surround and 52 mm (2") edge wound voice coil
  - 1 x 1.3" (33 mm) aluminium/magnesium alloy dome with edge wound voice coil (capable of reproducing up to 30 kHz)
  - Highly efficient (91 dB) with 500 Watt power handling delivers breath-taking dynamics and realism
  - 20 - 250 Watt amplifier power recommended
- Crossover frequency 1.2kHz
  - Twin distributed front facing port facilitates easy room placement
  - Compact floor standing cabinet 860 x 448 x 260 mm (33.9 x 17.6 x 10.2") designed to work best in medium-large rooms
- TANNOY Accessory pack includes: Bi-wire bridge connectors, Prestige wood wax, Carpet protectors, Adjustable feet

## EATON Features

- 1 x 10" (254 mm) paper pulp cone with twin roll impregnated fabric surround and 52 mm (2") edge wound voice coil
  - 1 x 1.3" (33 mm) aluminium/magnesium alloy dome with edge wound voice coil (capable of reproducing up to 30 kHz)
  - Highly efficient (89 db) with 400 Watt power handling delivers breath-taking dynamics and realism
  - 20 - 200 Watt amplifier power recommended
- Crossover Frequency 1.2 kHz
  - Twin distributed front facing port facilitates easy room placement
  - Large bookshelf design 538 x 376 x 250 mm (21.2 x 14.8 x 9.8"). For best performance, place loudspeaker on floor stands in medium sized rooms
- TANNOY Accessory pack includes: Bi-wire bridge connectors, Prestige wood wax







⚡ TANNOY ⚡